



# PARTS CART WITH PANEL TRAIN

MODEL NO: **MK75**

Thank you for purchasing a Sealey product. Manufactured to a high standard, this product will, if used according to these instructions, and properly maintained, give you years of trouble free performance.

**IMPORTANT:** PLEASE READ THESE INSTRUCTIONS CAREFULLY. NOTE THE SAFE OPERATIONAL REQUIREMENTS, WARNINGS & CAUTIONS. USE THE PRODUCT CORRECTLY AND WITH CARE FOR THE PURPOSE FOR WHICH IT IS INTENDED. FAILURE TO DO SO MAY CAUSE DAMAGE AND/OR PERSONAL INJURY AND WILL INVALIDATE THE WARRANTY. KEEP THESE INSTRUCTIONS SAFE FOR FUTURE USE.



Refer to instructions



Wear protective gloves



Wear protective footwear

## 1. SAFETY

- ✓ Only use on firm, level, unobstructed surfaces which are capable of supporting the cart and wheels.
- ✗ **DO NOT** overload.
- ✓ Always load evenly with the centre of gravity of the load as near the centre as possible.
- ✓ Apply the brakes before commencing work.
- ✗ **DO NOT** stand/ride on the cart, or allow others to do so.
- ✓ Replace or repair damaged parts. Use only recommended parts. Unauthorised parts may be dangerous and will invalidate the warranty.
- ☐ **WARNING!** Failure to comply with these instructions may result in loss of load, damage to the cart or other property and/or personal injury.
- ☐ **WARNING!** The warnings, cautions and instructions discussed in this instruction manual cannot cover all possible conditions and situations that may occur. It must be understood that common sense and caution are factors which cannot be built into this product, but must be applied by the operator.

## 2. INTRODUCTION

Suitable for use with windscreens, sheet metal, hoods and doors as well as other large items. Panel train includes 8 foam cushioned support arms to protect the items held within it. Fitted with 4 castors, two with brakes, for maximum manoeuvrability and safe positioning. Also Includes: 3 Shelves, 2 600mm arms, 6 "S" shaped hooks.

## 3. SPECIFICATION

Model No.....MK75  
 Overall Dimensions .....1400 x 800 x 1870mm  
 Shelf Dimensions.....940 x 550 x 510mm  
 Max Capacity.....100kg



## 4. ASSEMBLY

Assemble panel stand according to the parts diagram attached.



### ENVIRONMENT PROTECTION

Recycle unwanted materials instead of disposing of them as waste. All tools, accessories and packaging should be sorted, taken to a recycling centre and disposed of in a manner which is compatible with the environment. When the product becomes completely unserviceable and requires disposal, drain any fluids (if applicable) into approved containers and dispose of the product and fluids according to local regulations.

**Note:** It is our policy to continually improve products and as such we reserve the right to alter data, specifications and component parts without prior notice. Important: No Liability is accepted for incorrect use of this product.

**Warranty:** Guarantee is 12 months from purchase date, proof of which is required for any claim.

Sealey Group, Kempson Way, Suffolk Business Park, Bury St Edmunds, Suffolk. IP32 7AR



01284 757500



01284 703534



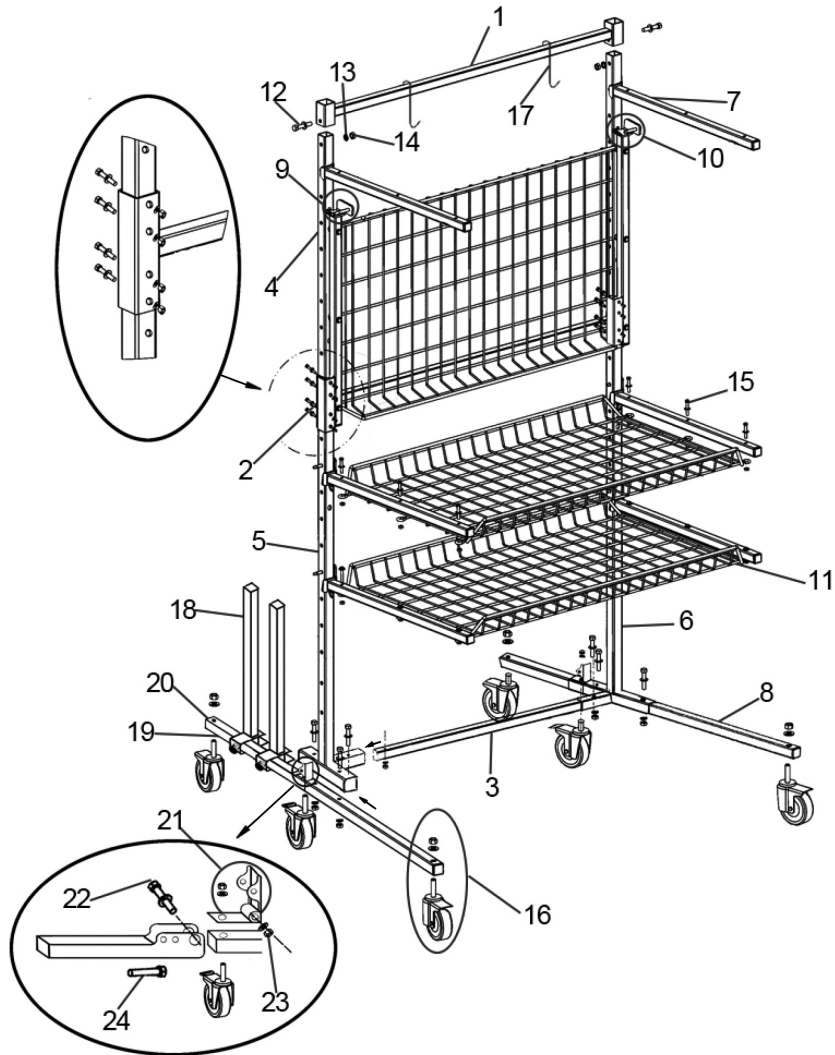
sales@sealey.co.uk



www.sealey.co.uk



Parts Information:  
**Parts Cart with Panel Train**  
**Model No: MK75**



Item	Part No.	Description
1	MK75.01	Top Connect Bar
2	MK75.02	Middle Connect Bar
3	MK75.03	Bottom Connect Bar
4	MK75.04	Upper Vertical Bar
5	MK75.05	Lower Vertical Bar (L)
6	MK75.06	Lower Vertical Bar (R)
7	MK75.07	Support Arm
8	MK75.08	Base Frame
9	MK75.09	Support Arm with Holes (L)
10	MK75.10	Support Arm with Holes (R)
11	MK75.11	Mesh Shelf
12	SS850.S	Hex Head Set Screw M8 X 50 Zinc

Item	Part No.	Description
13	FWM8.S	Flat Washer M8 Zinc
14	NLN8.S	Nyloc Nut M8 Zinc
15	SS840.S	Hex Head Set Screw M8 X 40 Zinc
16	MK75.16	Castor Wheel Set
17	MK75.17	Hook (L-Shape)
18	MK75.18	Vertical Support Arm with Foam
19	MK75.19	Support Buckle with Knob
20	MK75.20	Back Base Frame
21	MK75.21	Connector (L-Shape)
22	SS1050.S	Hex Head Set Screw M10 X 50 Zinc
23	NLN10.S	Nyloc Nut M10 Zinc
24	MK75.24	Side Pin (M8 x 50)

**NOTE:** It is our policy to continually improve products and as such we reserve the right to alter data, specifications and component parts without prior notice. There may be alternative versions of this product, please contact us should you require this information.

**IMPORTANT:** No liability is accepted for incorrect use of product. Spare parts must be fitted by a competent person

**WARRANTY:** Guarantee is 12 months from purchase date, proof of which will be required for any claim.

Sealey Group, Kempson Way, Suffolk Business Park, Bury St Edmunds, Suffolk. IP32 7AR



01284 757500



01284 703534



sales@sealey.co.uk



www.sealey.co.uk